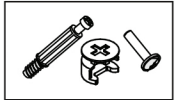
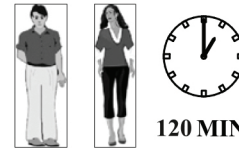
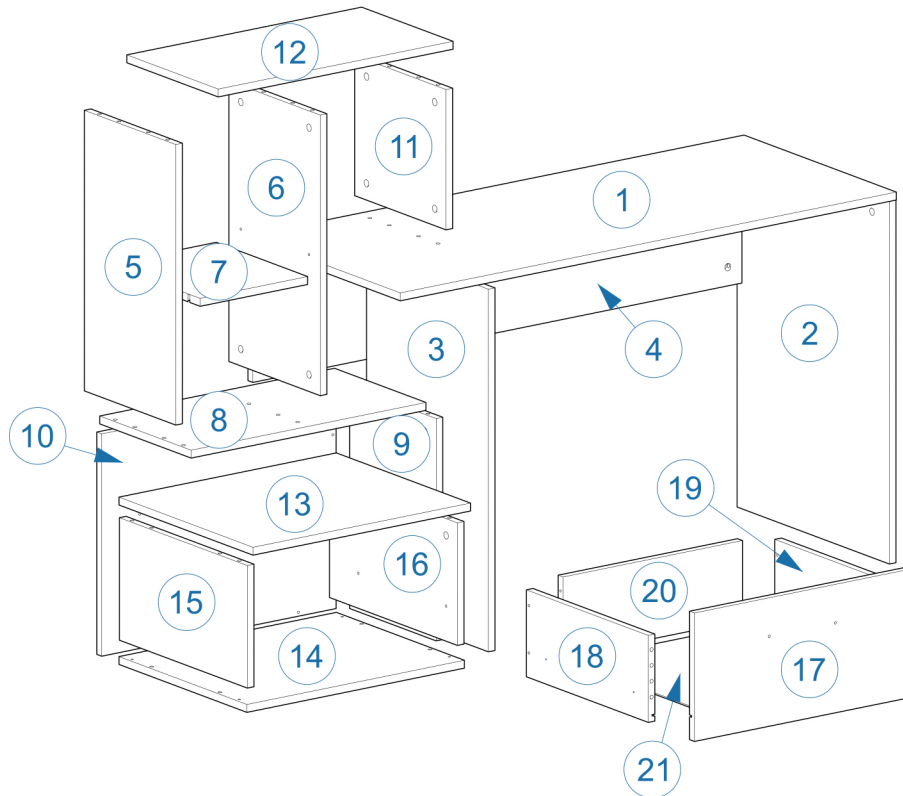
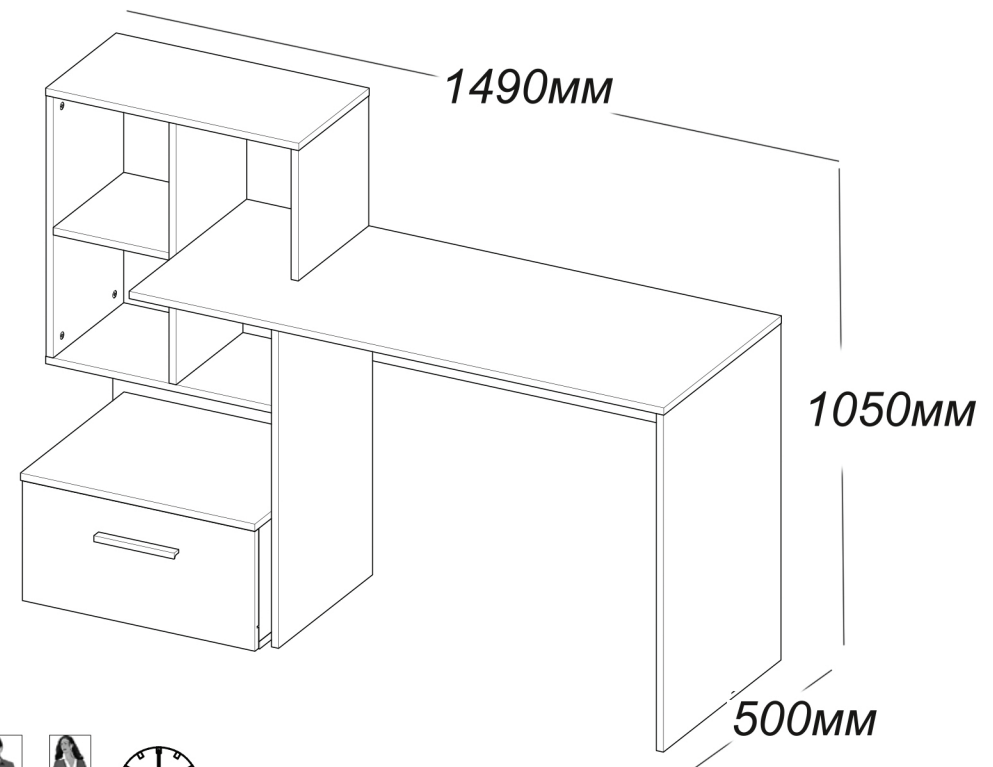
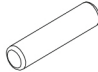


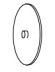




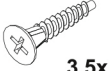
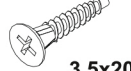







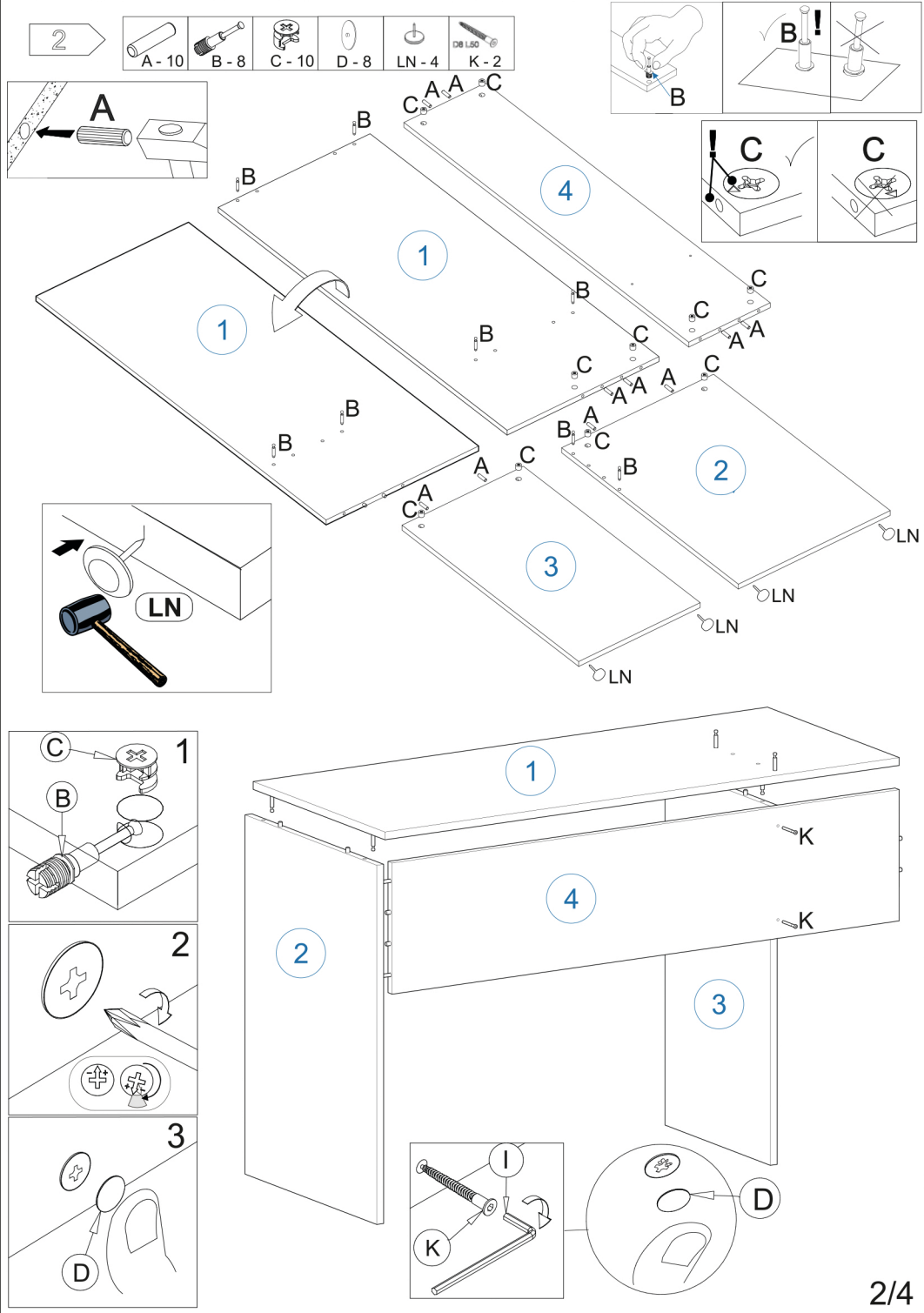
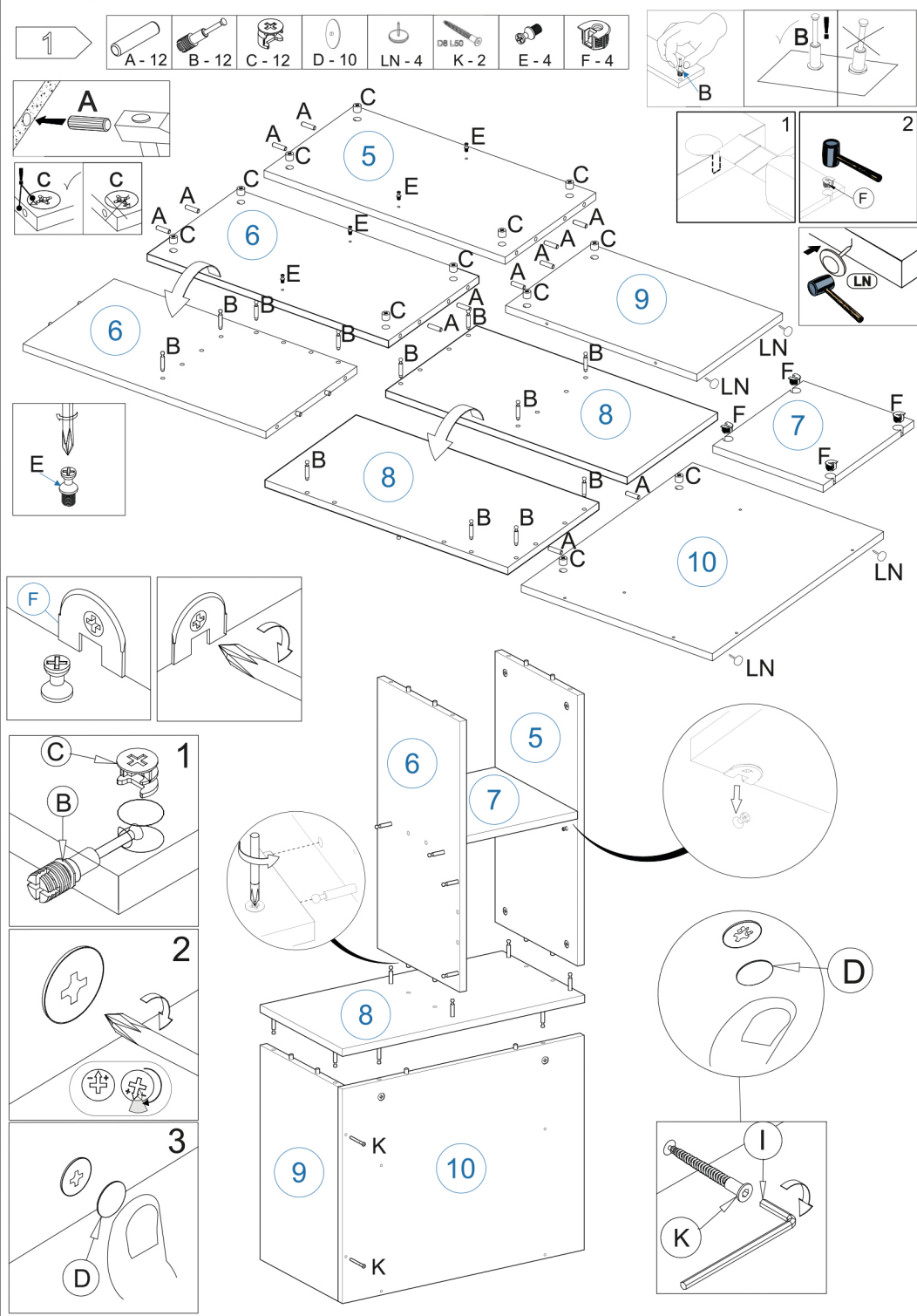


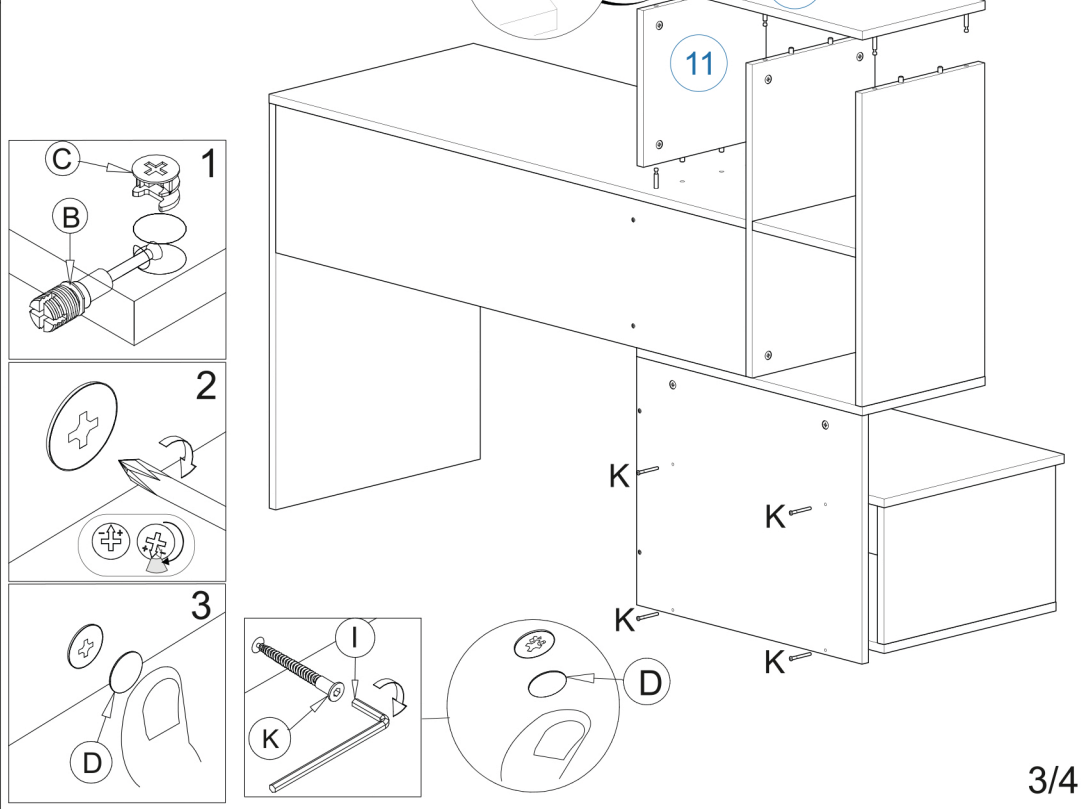
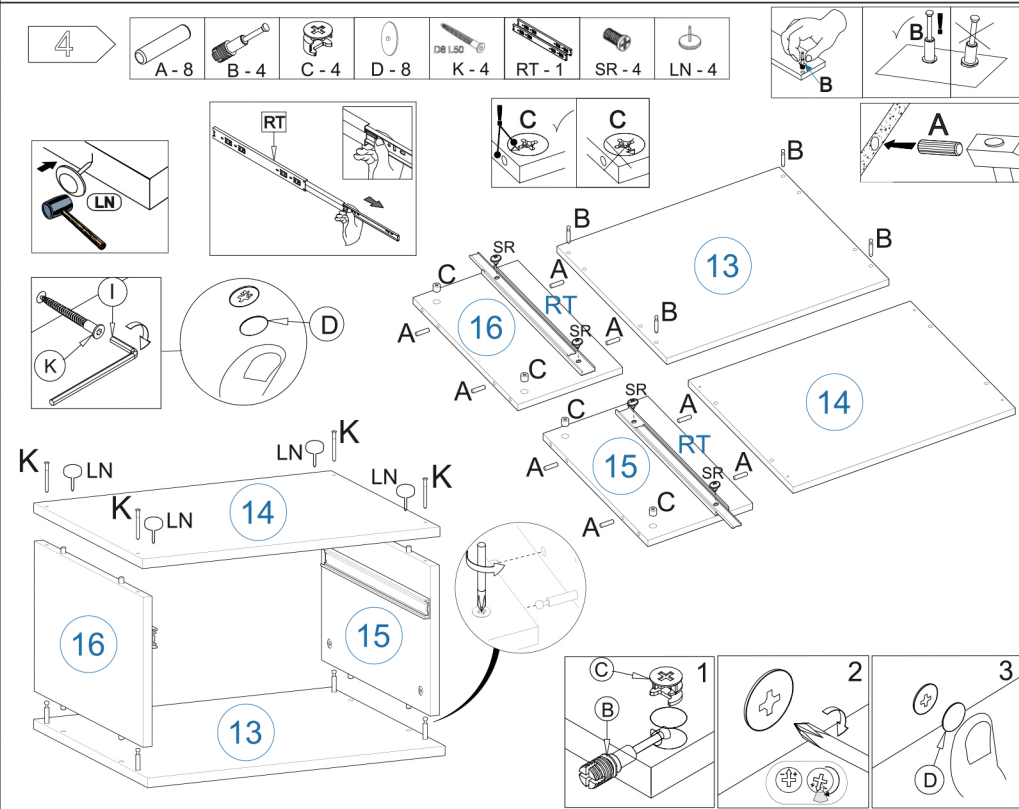
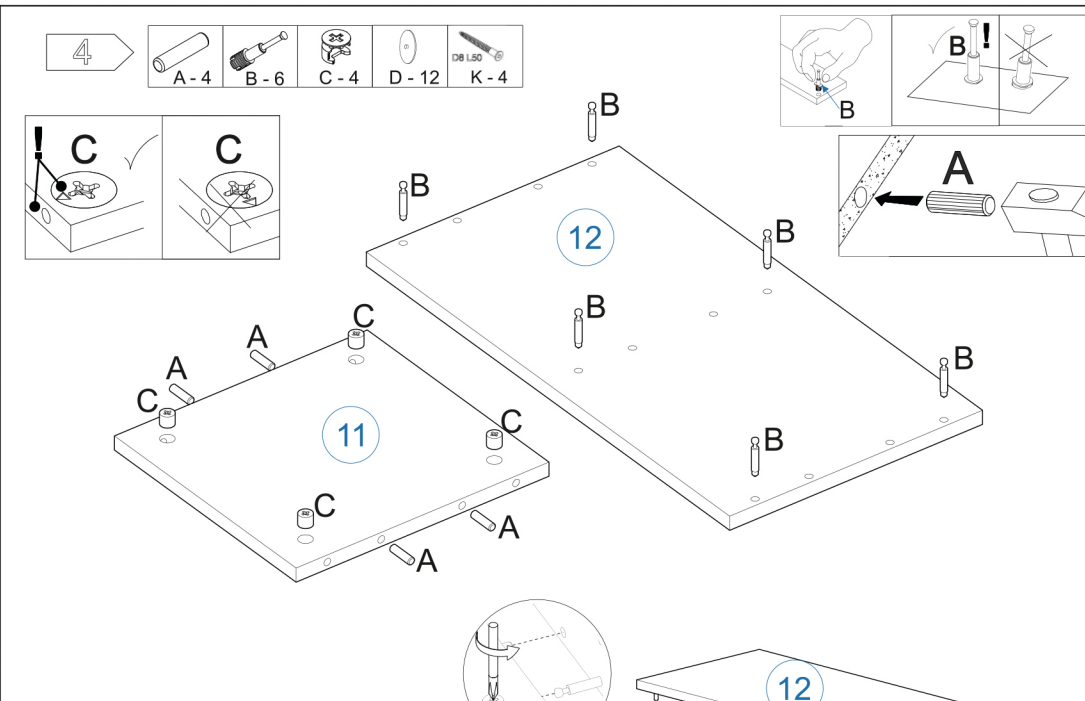
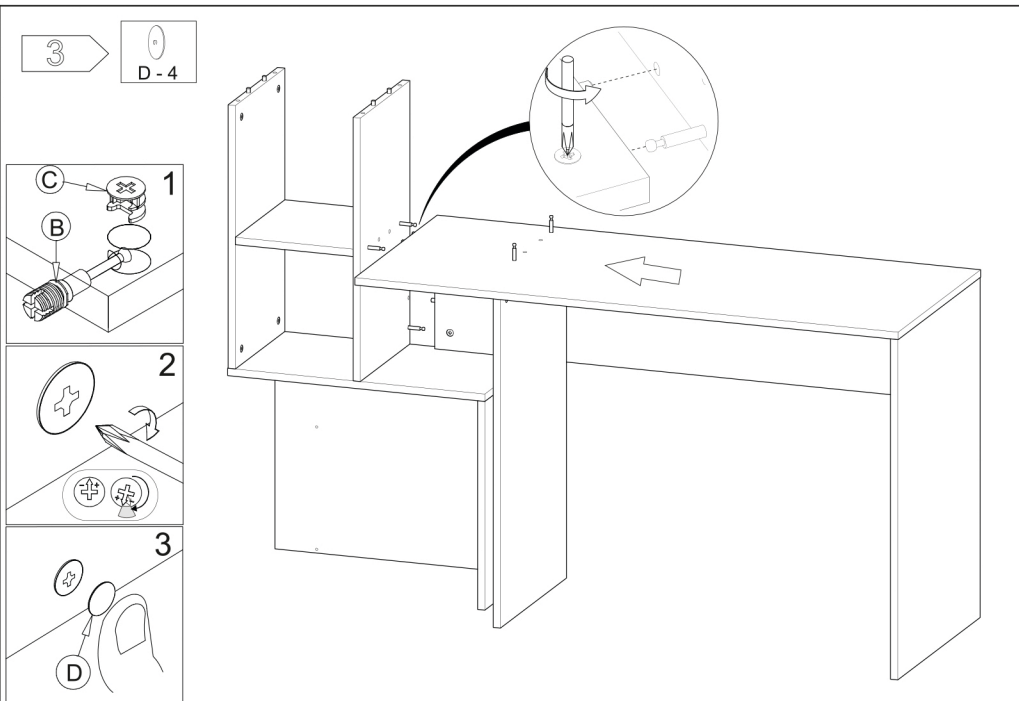
	A	B	X	№		A	B	X	№
1/3					3/3	568	300	1	12
						568	300	1	8
2/3	1200	500	1	1		568	300	1	5
	734	500	1	2		568	300	1	6
	734	400	1	3		284	300	1	11
	1183	268	1	4		260	300	1	7
	450	284	1	9		450	567	1	10
	248	420	1	15		526	440	1	13
	248	420	1	16		526	420	1	14
	400	176	1	18		522	260	1	17
400	176	1	19	446	406	1	21		
434	162	1	20						

# EROSS



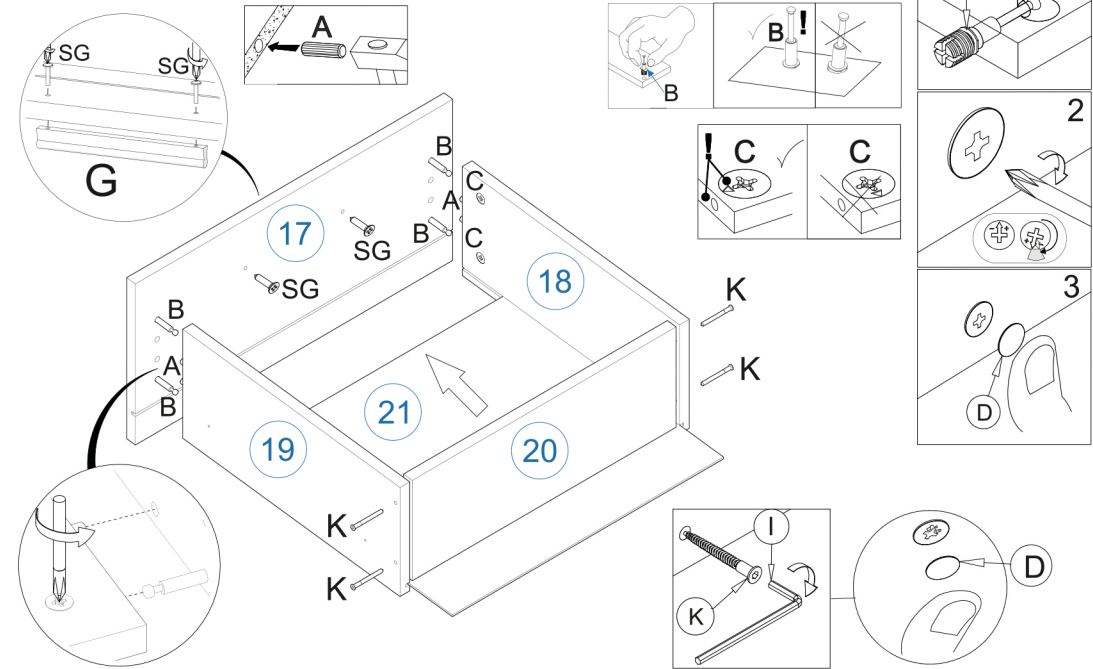
					
A - 38	B - 34	C - 34	D - 50	LN - 12	I - 1
 300MM	 D6 L8	 3,5x16	 3,5x20		 D8 L50
RT - 1	SR - 4	S1 - 4	S2 - 6	R - 6	K - 16
					
F - 4	E - 4	G - 1	SG - 2	M - 4	



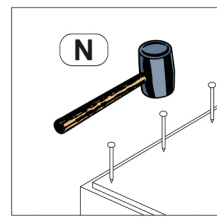
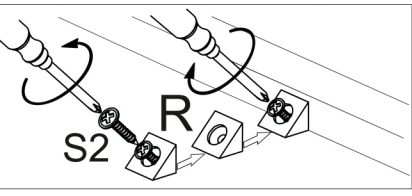
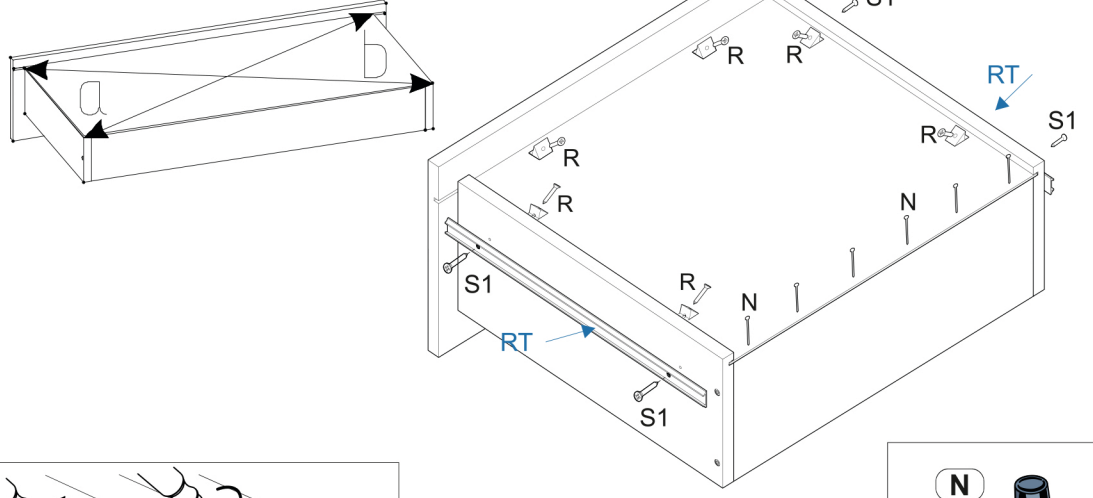


5

- RT-1
- R-6
- 3,5x20 S2-6
- 3,5x16 S1-4
- N-10
- D-8
- B-4
- C-4
- DB 150 K-4
- A-4



$a = b$



6

- M-4

